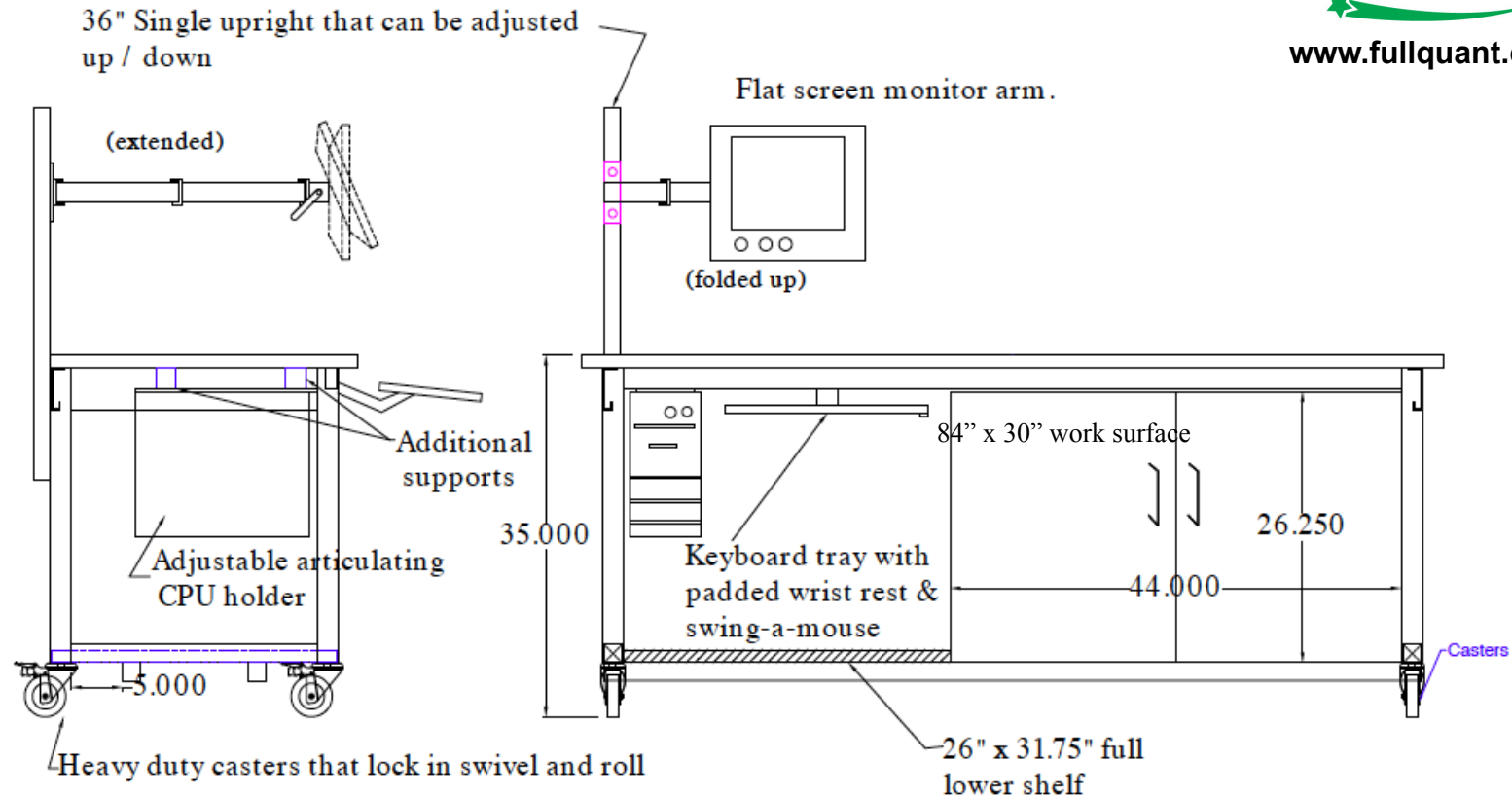


Typical use:

For ICP-MS, GC/MS or LC/MS where reduced rotary pump noise is required.



LabStation 84 with Pump Cabinet

Dimensions: D30" x W84" x H35". Weight approx. 210lbs.

Frame: 2" square, 16 gauge welded steel frame with integrated leg support cross member. Textured powder coat paint in light blue

Work surface: industrial grade particle board, fully sealed. Gray non-ESD (electrostatic discharge) laminated surface with black molded edge

Foot shelf: 26" deep foot shelf on left side supported by twin steel cross members.

Wheels: 4" diameter total lock casters (locks wheel rotation and swivel)

Max load weight: LabStations hold up to 1000lbs (evenly distributed)

Monitor mount: 36" single rear upright, with articulating flat screen monitor arm in steel. Height adjustable

PC mount: under work surface

Keyboard mount: fully articulated monitor tray with palm rest and swing out mouse pad. Swings under the work surface when not in use.

Cabinet: Black melamine cabinet with twin doors and rear opening for cable/pipes and for heat removal. Lined with sound deadening foam.