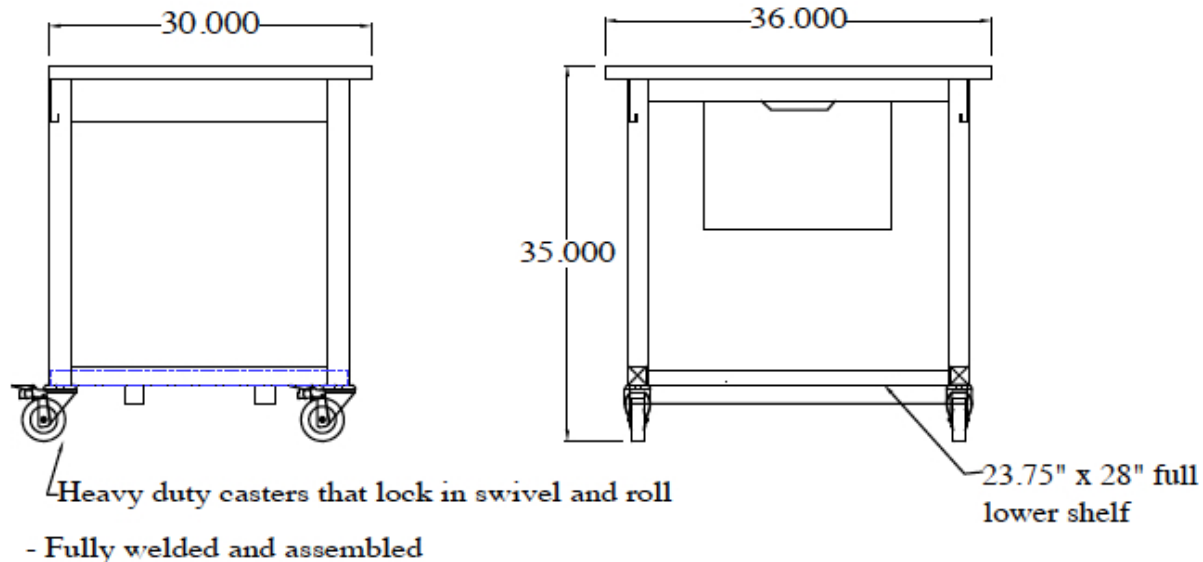


**Typical use:**

GC – e.g. Agilent 7890

LC – e. g. Agilent 1200 single or double stack



## LabStation 36

**Dimensions:** D30" x W36" x H35". Weight approx. 80lbs.

**Frame:** 2" square, 16 gauge welded steel frame with integrated leg support cross member. Textured powder coat paint in light blue

**Work surface:** industrial grade particle board, fully sealed. Gray non-ESD (electrostatic discharge) laminated surface with black molded edge

**Foot shelf:** full width, 23.75" deep foot shelf supported by twin steel cross members.

**Wheels:** 4" diameter total lock casters (locks wheel rotation and swivel)

**Max load weight:** LabStations hold up to 1000lbs (evenly distributed)

**Monitor mount:** none

**PC mount:** none

**Keyboard mount:** none

**Drawer:** 12" tall drawer under work surface